



MRS6124R-131001

MRS6000

3D LIDAR SENSORS

SICK
Sensor Intelligence.





Ordering information

Type	Part no.
MRS6124R-131001	6065086



Detailed technical data

Features

Application	Outdoor
Laser class	1 (IEC 60825-1:2014, EN 60825-1:2014)
Aperture angle	Horizontal 120° Vertical 15°
Scanning frequency	10 Hz
Angular resolution	0.13°, horizontal 0.625°, vertical
Working range	0.5 m ... 200 m
Scanning range	At 10% remission 30 m At 90% remission 75 m
Amount of evaluated echoes	4

Performance

Systematic error	± 125 mm ¹⁾
Statistical error	30 mm ¹⁾

¹⁾ Typical value; actual value depends on environmental conditions.

Interfaces

Ethernet	✓, TCP/IP
Function	Raw data interface/parameterization
Data transmission rate	100 Mbit/s ... 1 Gbit/s

Mechanics/electronics

Electrical connection	3 x M12 round connectors (supply voltage, Ethernet, I/O)
Supply voltage	10 V ... 29 V
Power consumption	20 W
Housing	Aluminum / plastic (PMMA)
Housing color	Gray

Enclosure rating	IP65, IP67
Protection class	III
Weight	2.2 kg
Dimensions (L x W x H)	125.5 mm x 176 mm x 131 mm

Ambient data

Ambient operating temperature	-20 °C ... +60 °C
--------------------------------------	-------------------

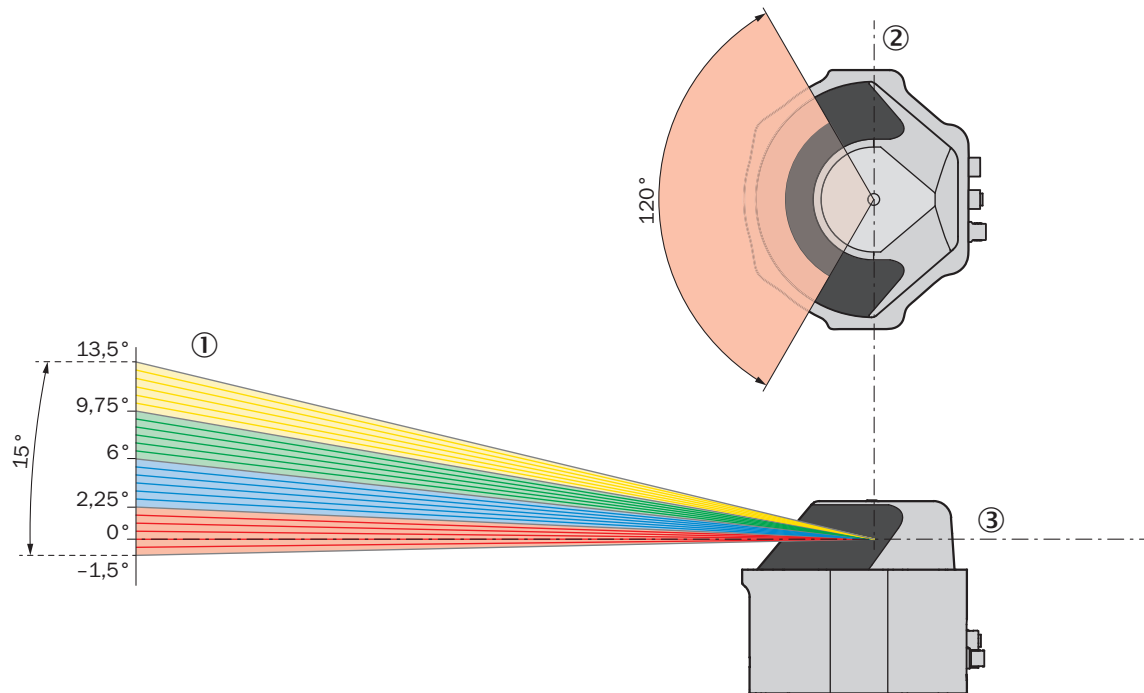
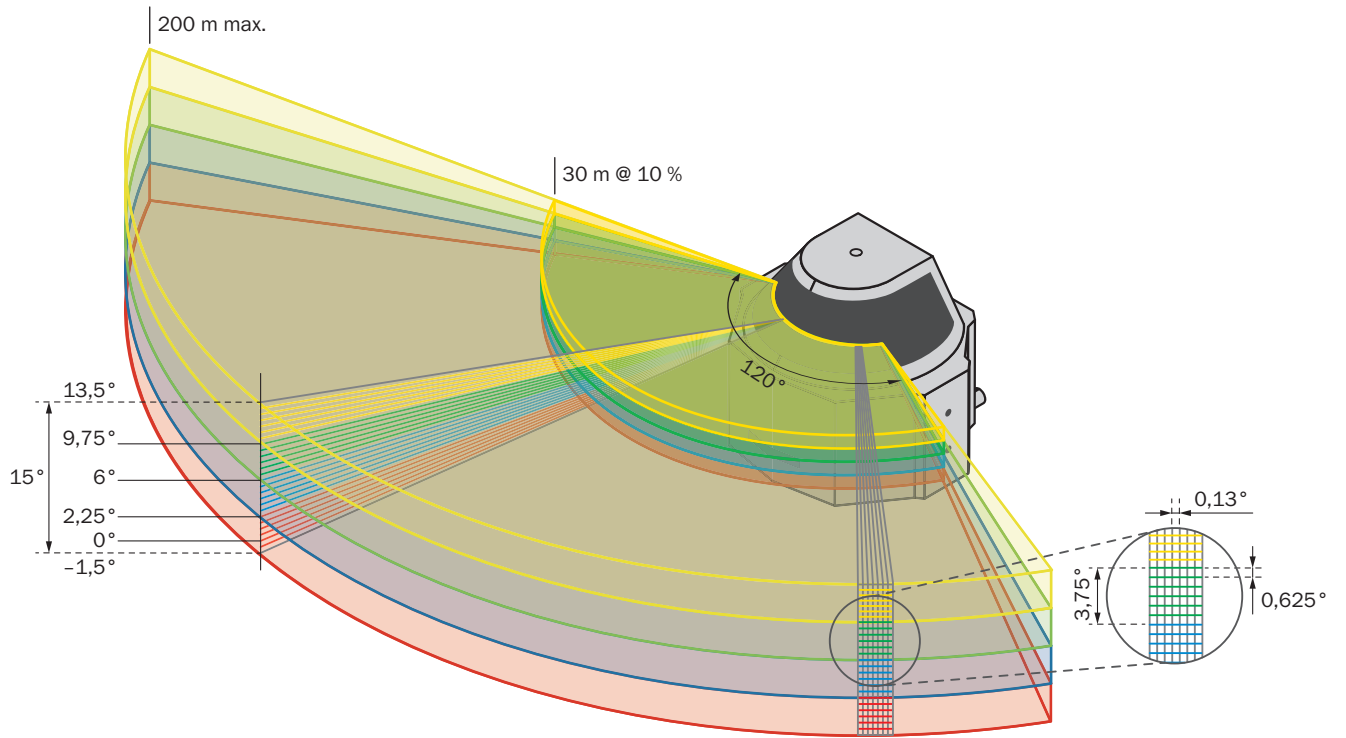
General notes

Note on use	The sensor does not constitute a safety component as defined by relevant legislation on machine safety.
--------------------	---

Classifications







ECl@ss 5.0	27270990
ECl@ss 5.1.4	27270990
ECl@ss 6.0	27270913
ECl@ss 6.2	27270913
ECl@ss 7.0	27270913
ECl@ss 8.0	27270913
ECl@ss 8.1	27270913
ECl@ss 9.0	27270913
ETIM 5.0	EC002550
ETIM 6.0	EC002550
UNSPSC 16.0901	46171620

Functional principle



- ① 4 scan planes with 6 layers each
- ② Vertical axis
- ③ Horizontal axis

Recommended accessories

	Brief description	Type	Part no.
Mounting brackets and plates			
	Adapter plate for mounting the MRS6000 to accessory components, stainless steel, mounting hardware included	Adapter plate	2102124
Terminal and alignment brackets			
	MRS6000 bracket for impact protection, stainless steel, mounting hardware included	Mounting kit	2102121
	MRS6000 bracket for mounting from behind, stainless steel, mounting hardware included	Mounting kit	2102120
	MRS6000 bracket for mounting from below, stainless steel, mounting hardware included	Mounting kit	2102119
Plug connectors and cables			
	Head A: female connector, M12, 5-pin, straight, A-coded Head B: Flying leads Cable: Sensor/actuator cable, PUR, halogen-free, shielded, 5 m	YF2A25-050UB6XLEAX	2095733
	Head A: male connector, M12, 8-pin, straight, X-coded Head B: male connector, RJ45, 8-pin, straight Cable: Gigabit Ethernet, twisted pair, PUR, halogen-free, shielded, 5 m	SSL-2J08-G05MACE	6049729

SICK AT A GLANCE

SICK is one of the leading manufacturers of intelligent sensors and sensor solutions for industrial applications. A unique range of products and services creates the perfect basis for controlling processes securely and efficiently, protecting individuals from accidents and preventing damage to the environment.

We have extensive experience in a wide range of industries and understand their processes and requirements. With intelligent sensors, we can deliver exactly what our customers need. In application centers in Europe, Asia and North America, system solutions are tested and optimized in accordance with customer specifications. All this makes us a reliable supplier and development partner.

Comprehensive services complete our offering: SICK LifeTime Services provide support throughout the machine life cycle and ensure safety and productivity.

For us, that is “Sensor Intelligence.”



Tel. 309.291.0966 | www.AutonomouStuff.com | info@AutonomouStuff.com

SICK
Sensor Intelligence.