

### Description

The SafeStop™ system provides the ability to safely command an unmanned or autonomous vehicle to pause or stop from a remote location up to 6 miles away. The SafeStop™ is a multi-level wireless emergency stop system, consisting of transmitter and receiver. The compact and lightweight transmitter contains an internal rechargeable battery that enables continuous operation for up to 12 hours. The SafeStop™ transmitter is available in both OEM and handheld models. SafeStop™ also contains an integrated Watchdog Timer. This automatically engages the SafeStop™ if a message hasn't been received within a configurable set amount of time.

### Wireless Performance

**Operating Distance with Single Transmitter:** Up to 6 miles (line of sight)  
**Update Rate:** 20 HZ  
**Total Number of Combined Transmitters:** 10

### Wireless Link

**Frequency Band:** 902-928MHz (other frequencies available)  
**Transmit Power:** 1W  
**Modulation:** FHSS GFSK  
**FCC Approved:** Yes

### Transmitter Electrical

**SS03TX Battery Life:** Up to 12 hours  
**SS03TX Input Voltage (charging):** 12/24 VDC, ±10%  
**SS03TX Power Consumption (12 VDC):** 15W

### OEM Transmitter Electrical

**SS03OT Input Voltage (V<sub>IN</sub>):** 10-32 VDC  
**SS03OT Power Consumption (12 VDC):** 2.5W

### Receiver Electrical

**SS03RX Input Voltage (V<sub>IN</sub>):** 10-40 VDC  
**SS03RX Power Consumption (12 VDC):** 8W (typical); max power dependent on output load

### Frequency Options with Ranges

**400MHz:** 340-400MHz  
**900MHz:** 902-928MHz  
**1.3GHz:** 1.33-1.54GHz  
**2.4GHz:** 2.400-2.4835GHz

### Weight

**SafeStop 03TX:** 555g  
**SafeStop 03RX:** 1052g  
**SafeStop 03OT:** 71g  
**SafeStop 03RX Cables:** 203g

### Vehicle Interface/Output Ratings

**Digital Communications:** TCP/IP over Ethernet (serial optionally available)  
**Emergency Stop Output Rating:** 1.5A Continuous (sink or source)  
**Emergency Override Output Rating:** 1.5A Continuous (sink or source)  
**Emergency Stop Output Minimum Voltage:** V<sub>IN</sub> - 2.4V  
**Emergency Override Output Minimum Voltage:** V<sub>IN</sub> - 2.4V

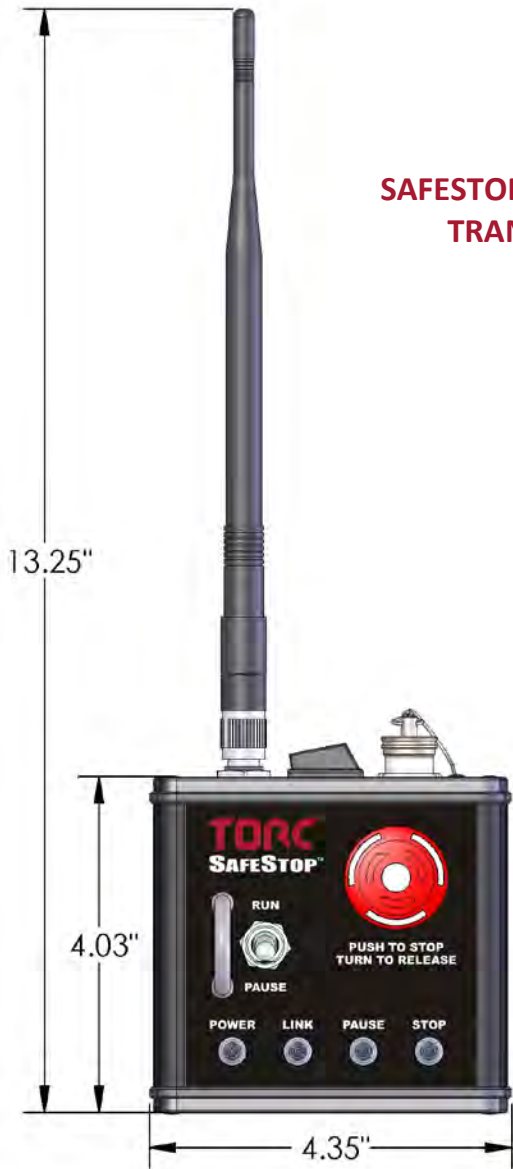
### User Interface

**User Settings:** Web browser configuration interface  
**Stop Input:** Standard mushroom-type stop button  
**Pause Input:** Guarded toggle switch  
**Bypass Mode:** Momentary push-button sequence  
**Visual Indicators:** Bicolor LEDs for Power, Link, Pause, & Stop  
**Audible Alarm:** Tone emitted for link lost & low battery



### Environmental

**Dust/Water Resistance:** Receiver: IP67; Transmitter: IP64  
**Operational Temperature:** -20°C to 70°C  
**Operational Humidity:** 10% to 90%, non-condensing  
**Operational Shock Rating:** 15g



**SAFESTOP™ HANDHELD  
TRANSMITTER**



**SAFESTOP™ RECEIVER**



**OEM TRANSMITTER AND SAFESTOP™ ACCESSORIES**



OEM TRANSMITTER  
(SS03-OT04, SS03-OT09, SS03-OT13, or SS03-OT24)



EXTERNAL EMERGENCY STOP  
BUTTON  
(SS03-A001)



EXTERNAL EMERGENCY  
OVERRIDE BUTTON  
(SS03-A002)



12V DC CAR CHARGER  
(SS03-A003)



EXTERNAL ANTENNA  
(ANT0302, ANT0902, ANT1302, or  
ANT2402)



STANDARD POWER & SERIAL  
INTERFACE CABLE  
(SS03-A005)



AC CHARGER  
(SS03-ACC)

## QUICK START/TYPICAL APPLICATION

