

# LeddarTech<sup>®</sup>



## Leddar Vu8

8-Segment Solid-State LiDAR  
Sensor Module



# Leddar Vu8

## Multi-Object, Wide-Beam Optical Detection and Ranging Over Eight Segments.

### The Small, Affordable, Versatile LiDAR

Leddar Vu8 solid-state LiDAR sensors offer affordable detection and ranging performance in a small, robust form factor over distances up to 185 m.

Leveraging LeddarTech's unique expertise in LiDAR detection and ranging, every Vu8 sensor contains our proprietary Leddar technology. The patented Leddar signal processing algorithms efficiently acquire, sequence and digitally process light signals, significantly improving solid-state LiDAR sensitivity, immunity to ambient light and performance in inclement weather.

This unique built-in processing ability allows for rapid delivery of accurate measurements, and extends range and measurement capabilities. Additionally, it provides superior lateral discrimination, as well as the critical capability to detect and track multiple objects simultaneously in the sensor's field of view (FOV).

### Vu8 Configurations

Weighing only 128.5 grams or less, Leddar Vu8 modules use a fixed light source, which significantly increases the sensor's robustness and cost-efficiency as compared to any scanning LiDAR solution.

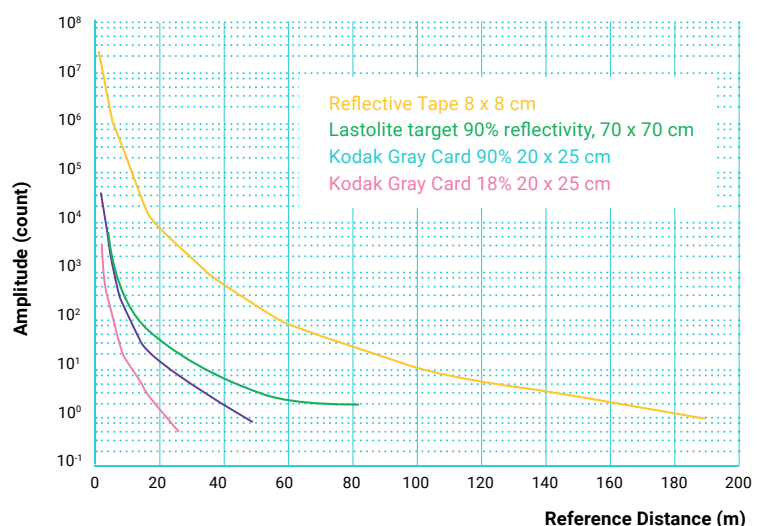
The Vu8 leverages powerful laser illumination (class 1, eye-safe) and a wide FOV separated into eight distinct detection segments within a single sensor, resulting in rapid, continuous and accurate detection and ranging of objects—including lateral discrimination—along the entire length of the wide beam, without any moving parts.

The Vu8 source assembly consists of a 905 nm laser emitter combined with diffractive optics, providing a wide illumination beam that is available in various horizontal FOV configurations from 20 to 100 degrees (each available in different vertical FOVs). The receiver assembly includes eight independent detection elements with simultaneous multi-object measurement capabilities supported by powerful Leddar signal processing algorithms.

### Integration and Interfaces

All Vu8 modules come with a software development kit, the Leddar Enabler SDK, which provides a user-friendly application programming interface (API) with .NET and C libraries complete with code examples and sample code for Windows and Linux. Two interface configurations are available: SPI or USB-CAN-Serial (UART/RS-485).

### Amplitude vs. Distance

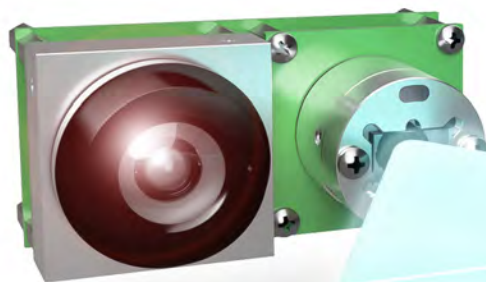


The chart above displays the detection amplitude of a 20° x 0.3° sensor for four reference objects (photographic gray cards and reflective tape) of varying size and reflectivity.

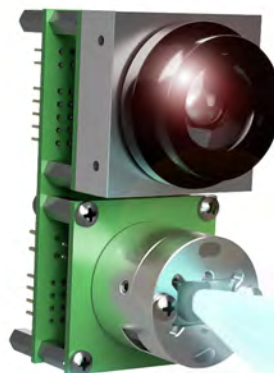


# Leddar Vu8

48° HORIZONTAL MODULE CONFIGURATION



48° VERTICAL MODULE CONFIGURATION



Leddar Vu8 solid-state LiDAR is offered in various sensor configurations for flexible integration into your application.

Configurations	Vu8 - Narrow FOV		Vu8 - Medium FOV		Vu8 - Wide FOV		
Horizontal FOV <sup>1</sup>	16°	16°	48°	48°	99°	99°	
Vertical FOV <sup>1</sup>	0.3°	2°	0.3°	3°	0.3°	3°	
Dimensions (H x W x D)	70.0 mm x 35.9 mm x 71.2 mm		70,0 mm x 35.9 mm x 49.6 mm		70.0 mm x 35.9 mm x 63.6 mm		
Weight (for SPI carrier model)	110.3 g		107.6 g		128.5 g		
Range <sup>5</sup>	Retro-Reflector <sup>2</sup>	185 m	121 m	118 m	85 m	61 m	34 m
	White Target <sup>3</sup>	60 m	34 m	31 m	19 m	12 m	9 m
	Gray Target <sup>4</sup>	38 m	22 m	18 m	13 m	7 m	6 m

## CHARACTERISTICS

- **Number of segments** 8
- **Wavelength** 905 nm
- **Power supply** 12 VDC ± 0.6 VDC
- **Interface options** 1) SPI 2) USB, CAN, serial (UART/RS-485)
- **Ocular safety** Fulfills the requirements of IEC 60825-1:2014 (Third Edition); Class 1 laser product

1. Typical value
2. Retro-reflector reference target corresponds to a 5 cm x 7 cm band of retro-reflective tape
3. White reference target corresponds to a 20 cm x 25 cm Kodak Gray Card with 90% reflectivity
4. Gray reference target corresponds to a 20 cm x 25 cm Kodak Gray Card with 18% reflectivity
5. Data refresh rates used to achieve the ranges are:
  - Narrow FOV: 0.543 Hz;
  - Medium FOV: 1.085 Hz;
  - Wide FOV: 2.17 Hz.

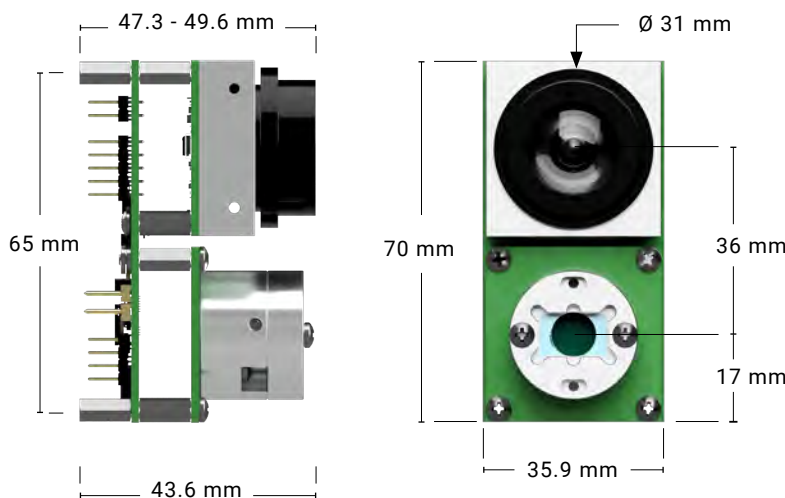
## SYSTEM PERFORMANCE

- **Accuracy** 5 cm
- **Data refresh rate**<sup>6</sup> Up to 100 Hz
- **Operating temperature range** -40 °C to +85 °C
- **Distance precision** 6 mm
- **Distance resolution** 10 mm
- **Power consumption** 2 W

## OPTIONAL ACCESSORIES

- **SPI to USB cable**
- **Leddar Vu8 12 V power supply**
- **Starter kit, which includes mounting brackets, screws, power supply and cables**

<sup>6</sup> Depends on configuration



Dimensions for medium FOV Vu8 configuration



# Leddar Vu8

The small, affordable, versatile solid-state LiDAR providing precise multi-object, wide-beam optical detection and ranging over eight segments.

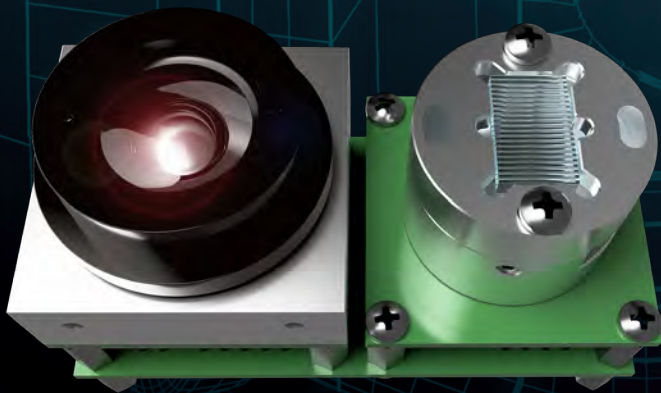
## Overview

### ✓ Vu8 Module Features

- Detection range up to 185 meters (607 feet)
- Compact and lightweight
- Multiple independent segments with simultaneous acquisition and lateral discrimination capabilities
- Rapid refresh rate up to 100 Hz

### ✓ Vu8 Benefits

- Small, flexible form factor
- Fixed beam, no moving parts
- Proven reliability, even in harsh conditions
- Immune to ambient light
- Best cost/performance ratio





# Leddar<sup>®</sup> ECOSYSTEM

The Leddar<sup>®</sup> Ecosystem is comprised of a select group of world-class suppliers that support customers development with the LeddarEngine<sup>™</sup> by providing components, such as emitters, receivers, micromirrors, microprocessors and software-development tools. These suppliers are prequalified for integration with LeddarCore<sup>®</sup> SoCs to ensure maximum design agility and reduced technical risks. The ecosystem provides customers with a faster, safer path to high-volume commercial deployments.



## About LeddarTech

LeddarTech is the industry leader behind the most versatile, scalable auto and mobility LiDAR platform based on the unique LeddarEngine. The company is responsible for several innovations in cutting-edge mobility remote-sensing applications, its patented technologies enhancing ADAS/AD capabilities for automobiles, trucks, buses, delivery vehicles, robotaxis and shuttles.



# HEXAGON



309.291.0966 | [www.AutonomouStuff.com](http://www.AutonomouStuff.com) | [info@AutonomouStuff.com](mailto:info@AutonomouStuff.com)

The content of this datasheet is subject to change without notice. Leddar<sup>™</sup> technology is covered by one or more of the following U.S. patents: 7855376B2, 7554652, 8319949B2, 8310655, 8242476, 8908159, 8767215B2 or international equivalents. Other patents pending. Find the most recent version of our datasheet on our website.  
Copyright © 2018 LeddarTech Inc. All rights reserved.



LeddarTech, the LeddarTech logo, Leddar, LeddarCore, are trademarks or registered trademarks of LeddarTech Inc. / Ver. 2.2 - 20190618  
The content of this spec sheet is subject to change without notice. 54C0006-2EN